

ASSEMBLING INSTRUCTIONS

ATV PUSH FRAME

CLIENT N°

WZ-ACF-PF

ATV BLADES (52" & 60")

CLIENT N°

WZ-ACF-PB52 (52)

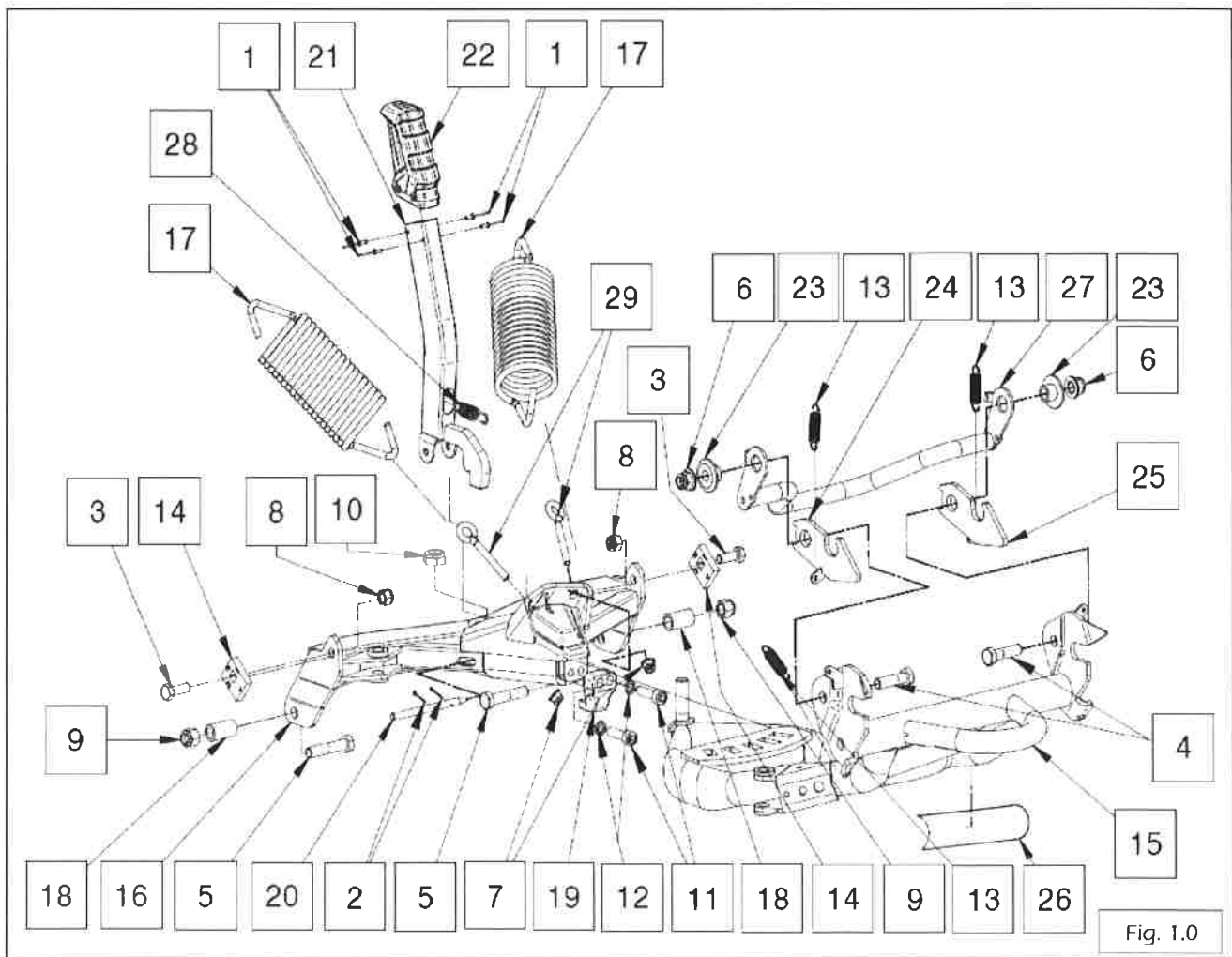
WZ-ACF-PB60 (60)

WARNING (to avoid injury to others and to yourself):

- Read this entire leaflet, as well as the User's manual of your vehicle.
- Always wear a proper helmet, safety glasses and protective footwear when using your vehicle.
- Keep a safe distance from all people or vehicles when you are in motion.

IMPORTANT: The installation of the plow system on the vehicle requires a set of mounting plate. The mounting plate must be assembled before. See the corresponding instruction for your vehicle.

ATV PUSH FRAME BOM



ASSEMBLING INSTRUCTIONS

ATV PUSH FRAME

CLIENT N° **WZ-ACF-PF**

ATV BLADES (52" & 60")

CLIENT N° **WZ-ACF-PB52 (52)**

WZ-ACF-PB60 (60)

REF.	DESCRIPTION	QTY	SERVICE KIT
1	Rivet dia. 3.2mm	4	WZ-ACF-PFHR
2	Cotter pin dia 1.5 X 15mm	2	WZ-ACF-PFHS
3	Hexagonal bolt M10-1.5 X 30	2	WZ-ACF-PFHS
4	Hexagonal bolt M12-1.75 X 45	2	WZ-ACF-PFAH
5	Hexagonal bolt M12-1.75 X 60	2	WZ-ACF-PFHS
6	Hexagonal nylon nut M12-1.75	2	WZ-ACF-PFAH
7	Hexagonal nylon nut M8-1.25	2	WZ-ACF-PFEB
8	Hexagonal nylon nut M10-1.5	2	WZ-ACF-PFHS
9	Hexagonal nylon nut M12-1.75	2	WZ-ACF-PFHS
10	Thin hexagonal nylon nut M16-2	1	WZ-ACF-PFHS
11	Cylindrical hollow bolt Allen M10-1.5 X 35	2	WZ-ACF-PFHS
12	Spring washer M10	2	WZ-ACF-PFHS
13	Spring dia. 13mm	3	WZ-ACF-PFAH
14	Adjustment block (4 positions)	2	WZ-ACF-PFHS
15	Push-frame	1	N/A
16	Push-frame pivot	1	N/A
17	Spring dia. 80mm	2	WZ-ACF-PFSS
18	Pivot ring	2	WZ-ACF-PFHS
19	Sliding guide	1	WZ-ACF-PFHS
20	Angulation handle pivot	1	WZ-ACF-PFHS
21	Angulation handle (lock)	1	WZ-ACF-PFHR
22	Plastic handle	1	WZ-ACF-PFHR
23	Sleeve hook	2	WZ-ACF-PFAH
24	Left hook	1	WZ-ACF-PFAH
25	Right hook	1	WZ-ACF-PFAH
26	Decal	1	N/A
27	Lock handle	1	WZ-ACF-PFAH
28	Spring dia. 15mm	1	WZ-ACF-PFHR
29	Eye bolt M8-1.25 X dia. 10 X 60	2	WZ-ACF-PFEB

ASSEMBLING INSTRUCTIONS

ATV PUSH FRAME

ATV BLADES (52" & 60")

CLIENT N°

WZ-ACF-PF

CLIENT N°

WZ-ACF-PB52 (52)

WZ-ACF-PB60 (60)

ATV PUSH FRAME; SERVICE KITS

WZ-ACF-PFSS : SPRING KIT



WZ-ACF-PFEB : EYE BOLT KIT



WZ-ACF-PFHS : HARDWARE KIT



WZ-ACF-PFHR : ANGULATION HANDLE KIT



WZ-ACF-PFAH : HOOK AND HANDLE LOCK KIT



ASSEMBLING INSTRUCTIONS

ATV PUSH FRAME

CLIENT N°

WZ-ACF-PF

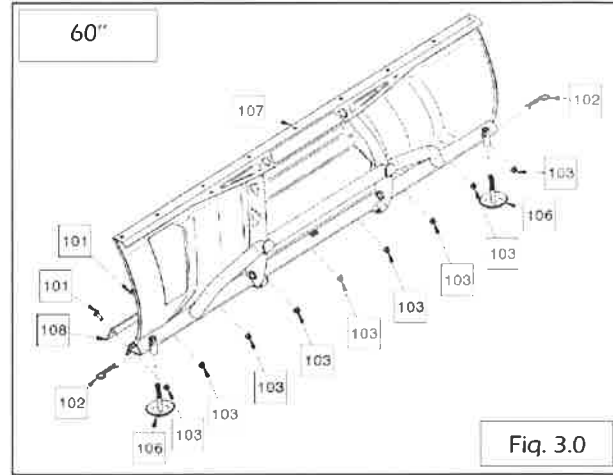
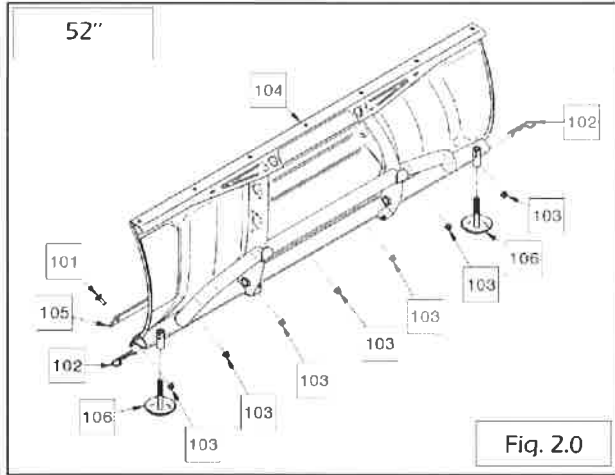
ATV BLADES (52" & 60")

CLIENT N°

WZ-ACF-PB52 (52)

WZ-ACF-PB60 (60)

ATV BLADES (52" & 60") BOM



52"			
REF.	DESCRIPTION	QTY	SERVICE KIT
101	Carriage bolt M8 - 1.25 X 20	7	WZ-ACF-WB-52
102	"R" pin	2	WZ-ACF-PBSS
103	Nylon nut M8 - 1.25	7	WZ-ACF-WB-52
104	52" Blade	1	N/A
105	52" Wear bar	2	WZ-ACF-WB-52
106	Plow shoes	2	WZ-ACF-PBSS

60"			
REF.	DESCRIPTION	QTY	SERVICE KIT
101	Carriage bolt M8 - 1.25 X 20	9	WZ-ACF-WB-60
102	"R" pin	2	WZ-ACF-PBSS
103	Nylon nut M8 - 1.25	9	WZ-ACF-WB-60
106	Plow shoes	2	WZ-ACF-PBSS
107	60" Blade	1	N/A
108	60" Wear bar	2	WZ-ACF-WB-60

ASSEMBLING INSTRUCTIONS

ATV PUSH FRAME

ATV BLADES (52" & 60")

CLIENT N°

WZ-ACF-PF

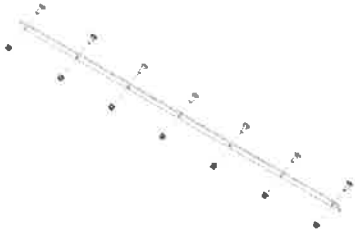
CLIENT N°

WZ-ACF-PB52 (52)

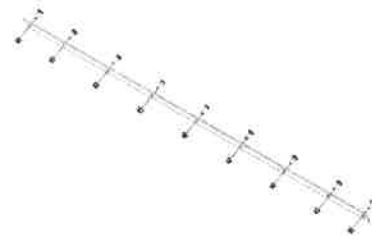
WZ-ACF-PB60 (60)

ATV BLADES (52" & 60"); SERVICE KITS

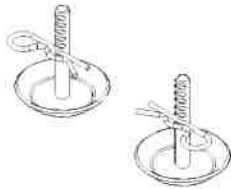
WZ-ACF-WB-52 : 52" WEAR BAR KIT



WZ-ACF-WB-60 : 60" WEAR BAR KIT



WZ-ACF-PBSS : PLOW SHOE KIT



ASSEMBLING INSTRUCTIONS

ATV PUSH FRAME

CLIENT N°

WZ-ACF-PF

ATV BLADES (52" & 60")

CLIENT N°

WZ-ACF-PB52 (52)

WZ-ACF-PB60 (60)

1. BLADE INSTALLATION (52" & 60") (Fig. 4.0)

1.1. Put the blade [104/107] face down on the floor or on a table.

1.2. Position the pivot [16] of the push frame [15] in the middle of the blade [104/107].

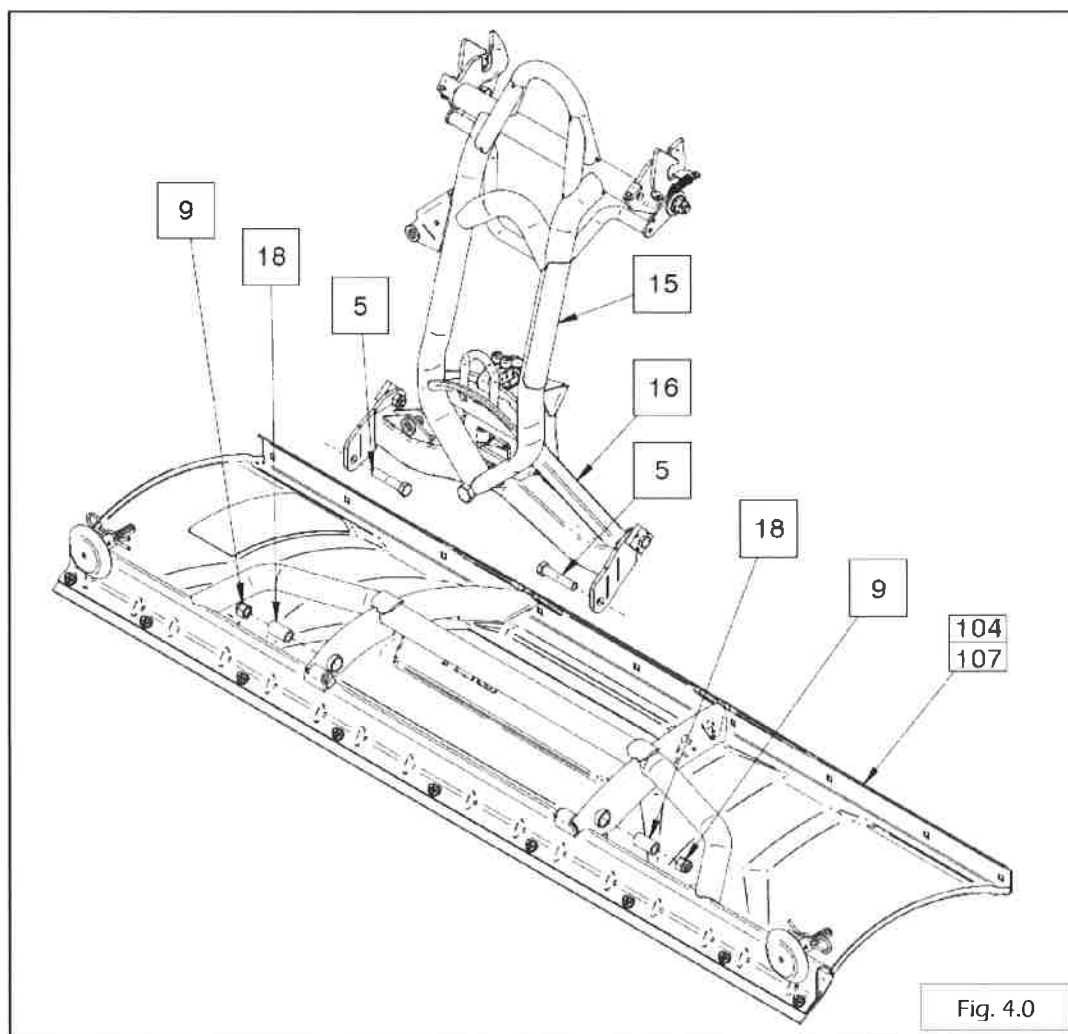
ATTENTION: There is a risk of your fingers jamming due to the pivot [16] on which the push frame [15] is attached and free of movement.

1.3. Insert the pivot sleeves [18] in the holes of the blade [104/107].

1.4. Insert the hexagonal bolts M12-1.75 X 45 [5] in the holes of the pivot [16] and through the sleeves [18].

1.5. Assemble the hexagonal nylon nuts M12-1.75 [9] and tighten them.

IMPORTANT NOTE: Assemble the nuts so that they are on the exterior side to prevent damage in case of impact.



ASSEMBLING INSTRUCTIONS

ATV PUSH FRAME

ATV BLADES (52" & 60")

CLIENT N°

WZ-ACF-PF

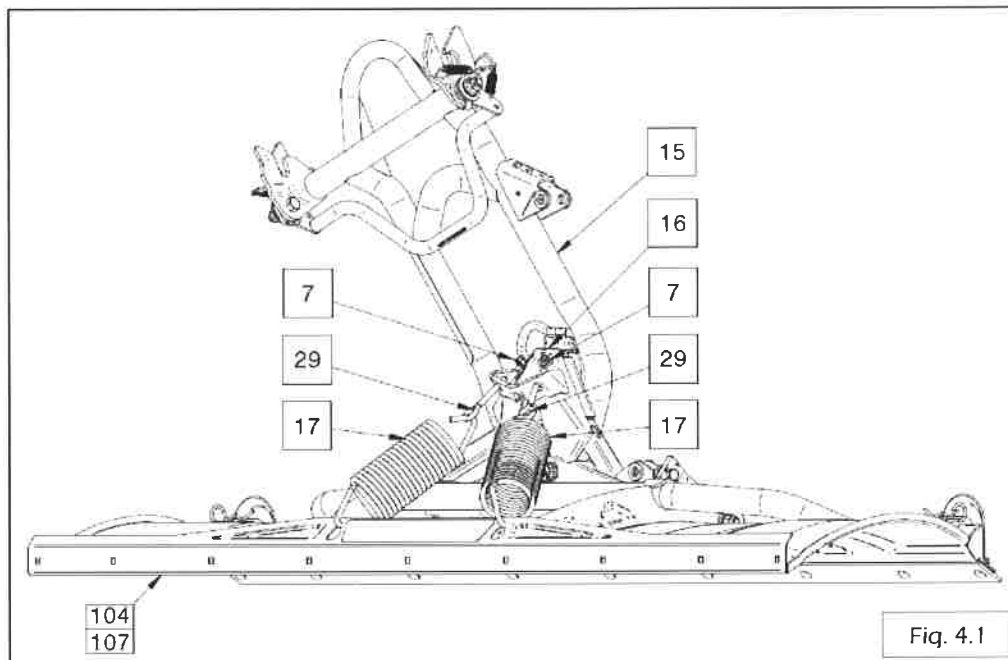
CLIENT N°

WZ-ACF-PB52 (52)

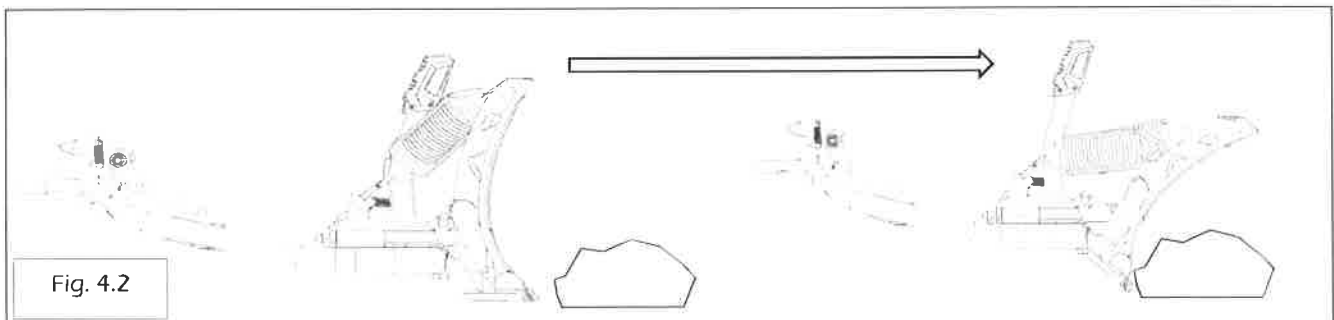
WZ-ACF-PB60 (60)

BLADE INSTALLATION (52" & 60") (CONTINUATION) (Fig. 4.1)

- 1.6. Install the springs **17** on the blade **104/107**.
- 1.7. Insert the eye bolts **29** in the holes of the push frame's **15** pivot **16**.
- 1.8. Install the other end of the springs **17** in the eye bolts **29**.
- 1.9. Assemble the hexagonal nuts M8-1.25 **7** and tighten until there is a minimum tension in the springs; the coils must not come off.



The ATV blade **104/107** is designed to flip forward when it hits an obstacle (Fig. 4.2). Once passed the obstacle, the blade will reposition itself on its own. The tension in the springs **17** can be increased by tightening the hexagonal nylon nuts M8-1.25 **7**. Untighten the hexagonal nylon nuts M8-1.25 **7** to release the tension.



ASSEMBLING INSTRUCTIONS

ATV PUSH FRAME

ATV BLADES (52" & 60")

CLIENT N°

WZ-ACF-PF

CLIENT N°

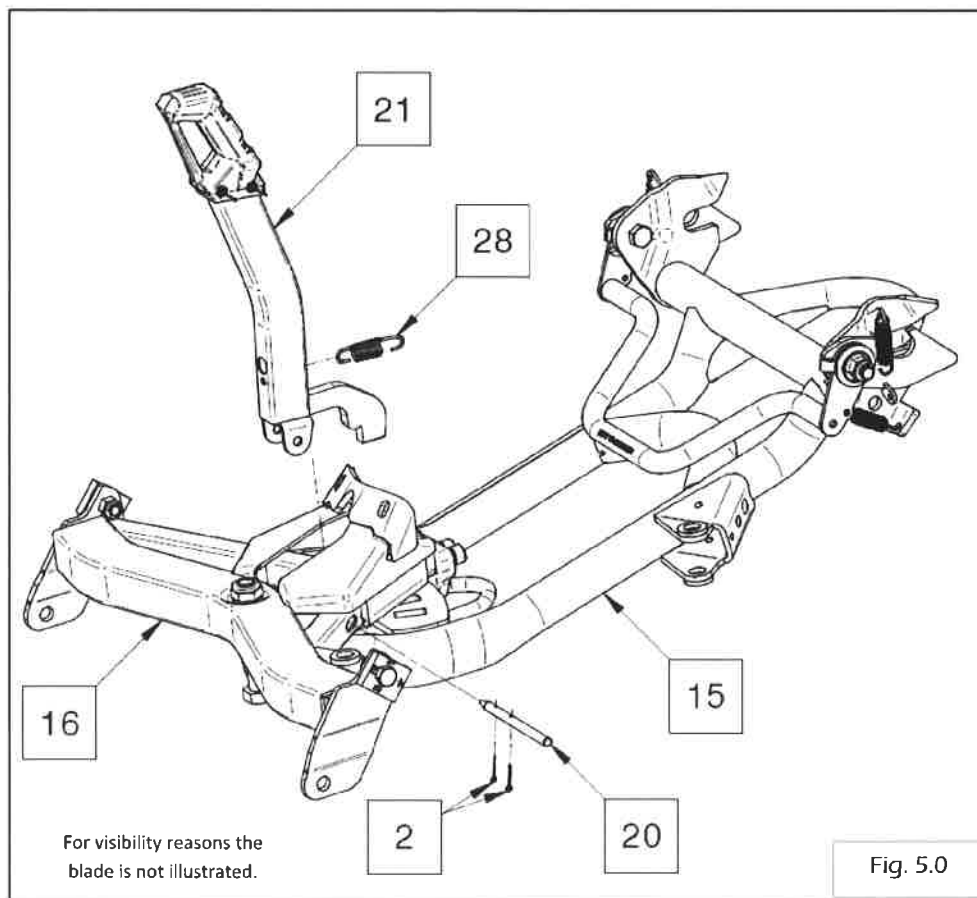
WZ-ACF-PB52 (52)

WZ-ACF-PB60 (60)

2. INSTALLATION OF THE ANGULATION HANDLE (Fig. 5.0)

- 2.1. Before installing the angulation handle [21] on the push frame pivot [16], insert the 15mm dia. spring [28] in the hole of the angulation handle (lock) [21] (Fig.5.1).
- 2.2. Align the holes of the angulation handle (lock) [21] with the holes of the push frame pivot [16] (Fig. 5.2).
- 2.3. Assemble the other end of the 15mm dia. spring [28] in the hole of the push frame pivot [16] (Fig. 5.3).
- 2.4. Insert the pivot [20] in the hole on the side of the push frame pivot [16] and make it pass through all 4 holes including the push frame pivot [16] and the angulation handle (lock) [21] (Fig. 5.4).
- 2.5. Then under the push frame pivot [16], insert the cotter pins dia.1.5 x 15mm [2] in the holes of the angulation handle pivot [20] (Fig. 5.5).

IMPORTANT NOTE: Each end of the cotter pin dia. 1.5 x 15mm [2] must be folded back in order to stay in place correctly.



ASSEMBLING INSTRUCTIONS

ATV PUSH FRAME

ATV BLADES (52" & 60")

CLIENT N°

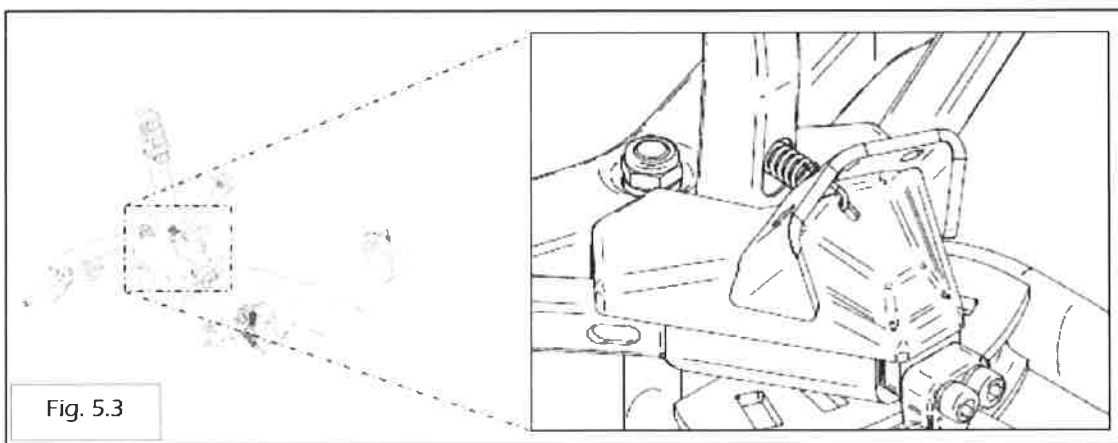
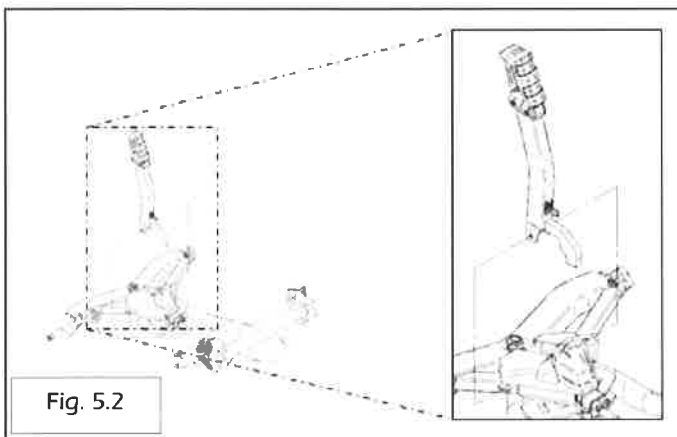
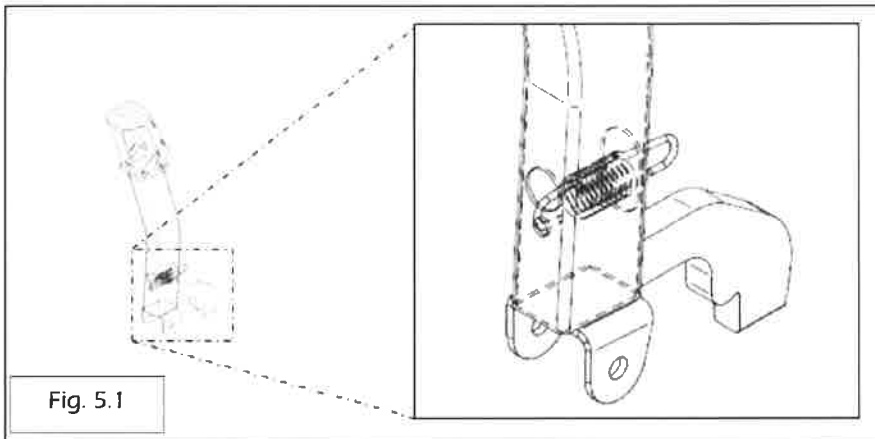
WZ-ACF-PF

CLIENT N°

WZ-ACF-PB52 (52)

WZ-ACF-PB60 (60)

INSTALLATION OF THE ANGULATION HANDLE (CONTINUATION)



ASSEMBLING INSTRUCTIONS

ATV PUSH FRAME

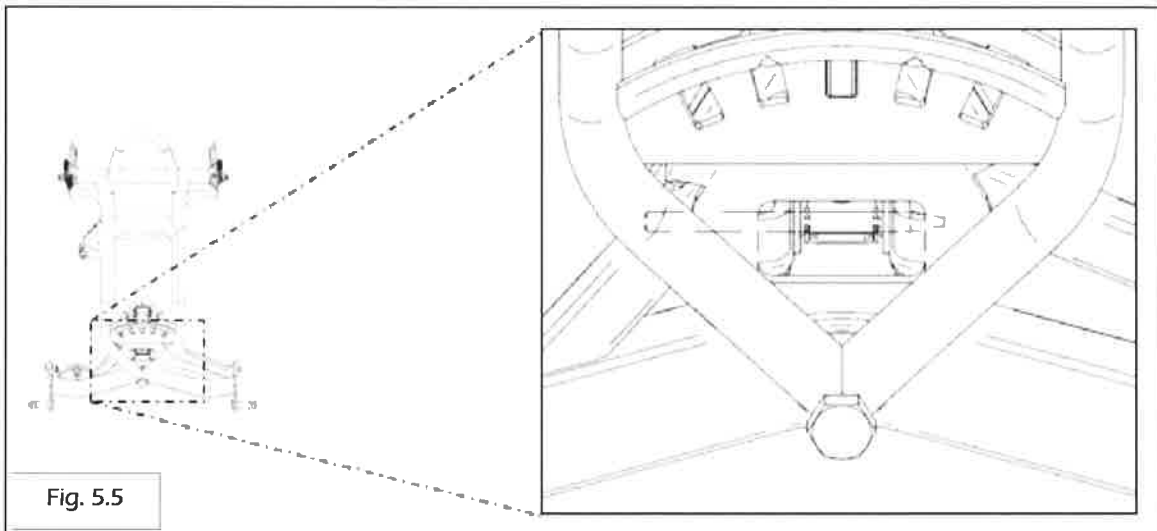
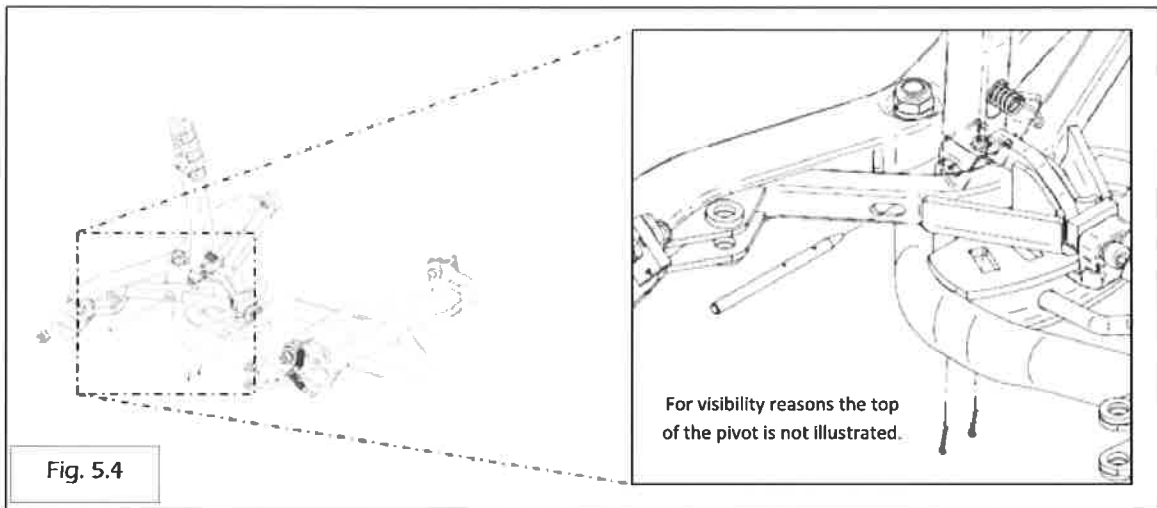
ATV BLADES (52" & 60")

CLIENT N° **WZ-ACF-PF**

CLIENT N° **WZ-ACF-PB52 (52)**

WZ-ACF-PB60 (60)

INSTALLATION OF THE ANGULATION HANDLE (CONTINUATION)



ASSEMBLING INSTRUCTIONS

ATV PUSH FRAME

CLIENT N°

WZ-ACF-PF

ATV BLADES (52" & 60")

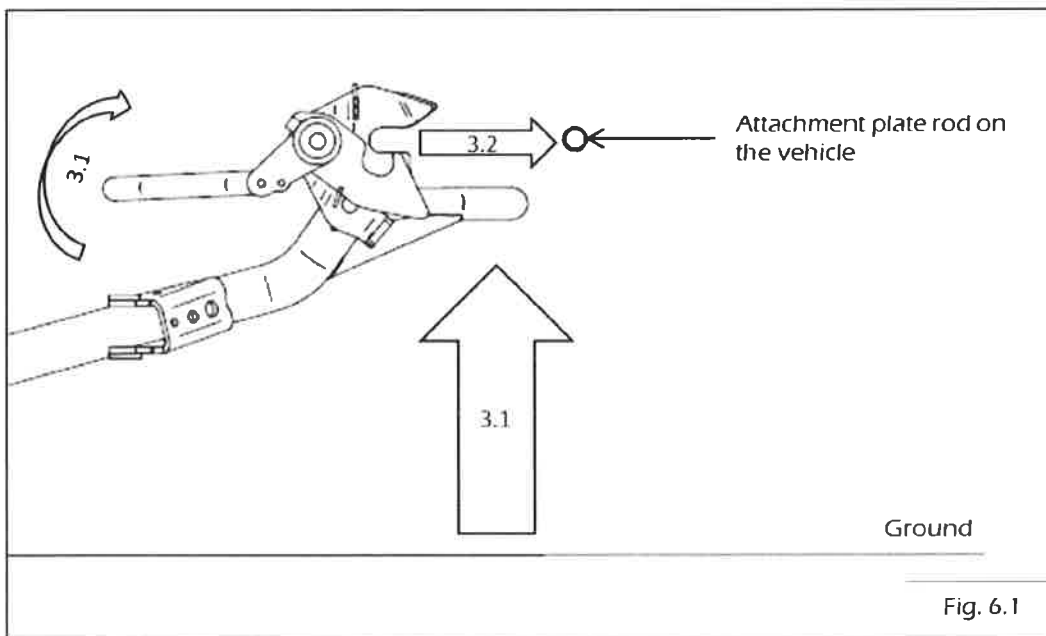
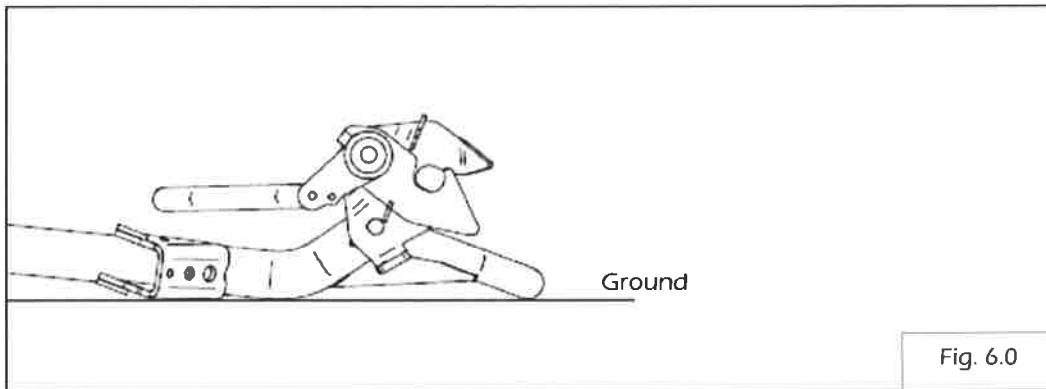
CLIENT N°

WZ-ACF-PB52 (52)

WZ-ACF-PB60 (60)

3. INSTALLATION OF THE PLOW SYSTEM ON THE VEHICLE

- 3.1. Raise the rear of the plow system by grabbing the lock handle **27**. This will allow both hooks to open-up at the same time **24/25** (Fig. 6.1).
- 3.2. Approach the plow system until the U-plates of the push frame **15** are completely inserted in the rods of vehicle's mount plate (Fig. 6.2).
- 3.3. Release the lock handle **27** and make sure both hooks **24/25** are completely closed on the rods of the mount plate (Fig. 6.3).



ASSEMBLING INSTRUCTIONS

ATV PUSH FRAME

CLIENT N°

WZ-ACF-PF

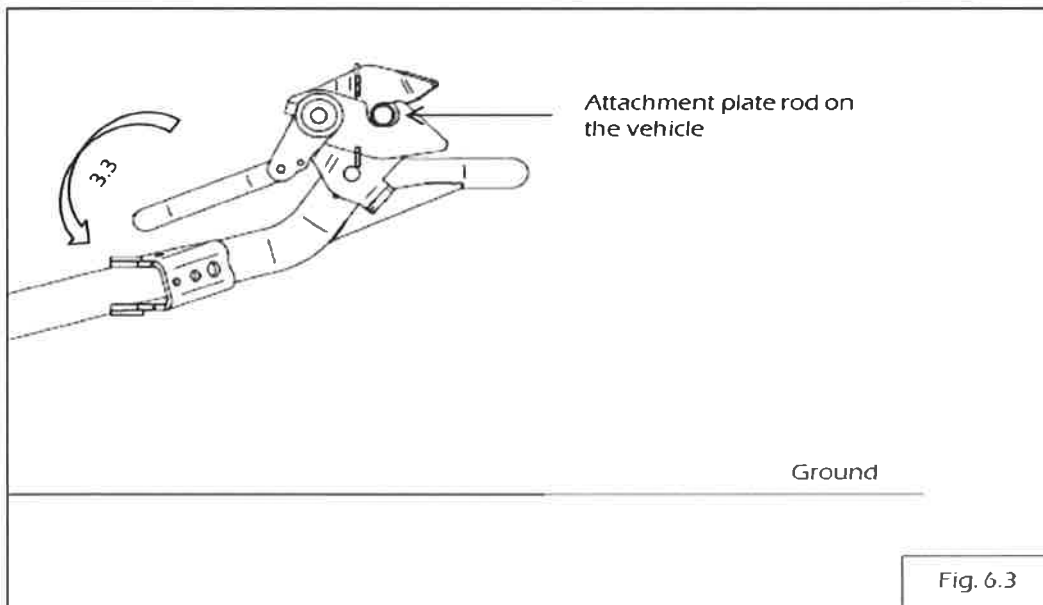
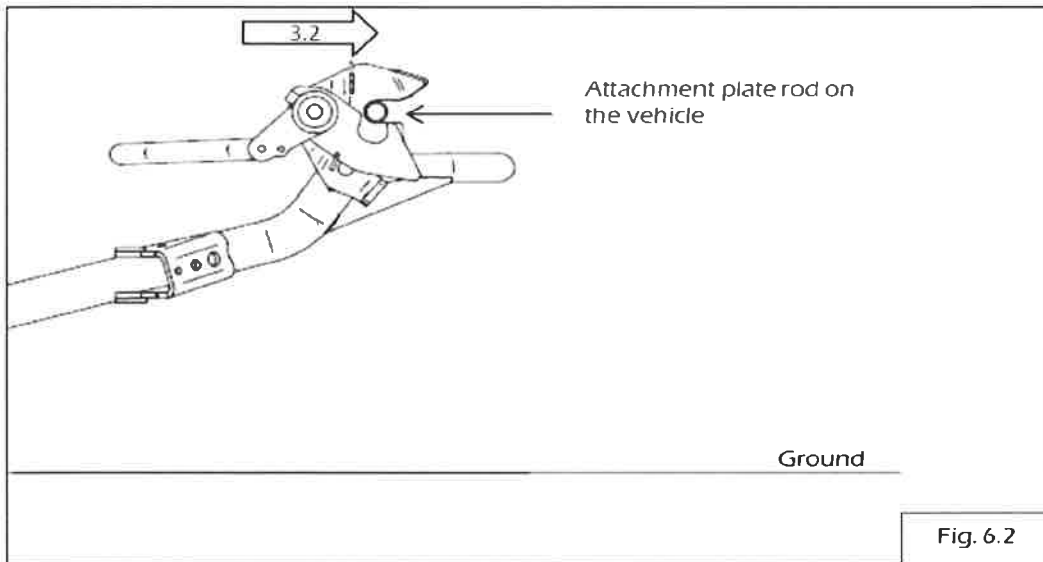
ATV BLADES (52" & 60")

CLIENT N°

WZ-ACF-PB52 (52)

WZ-ACF-PB60 (60)

INSTALLATION OF THE SHOVEL SYSTEM ON THE VEHICLE (CONTINUATION)



ASSEMBLING INSTRUCTIONS

ATV PUSH FRAME

CLIENT N°

WZ-ACF-PF

ATV BLADES (52" & 60")

CLIENT N°

WZ-ACF-PB52 (52)

WZ-ACF-PB60 (60)

4. ADJUSTEMENT OF THE BLADE ANGLE (Fig. 7.0)

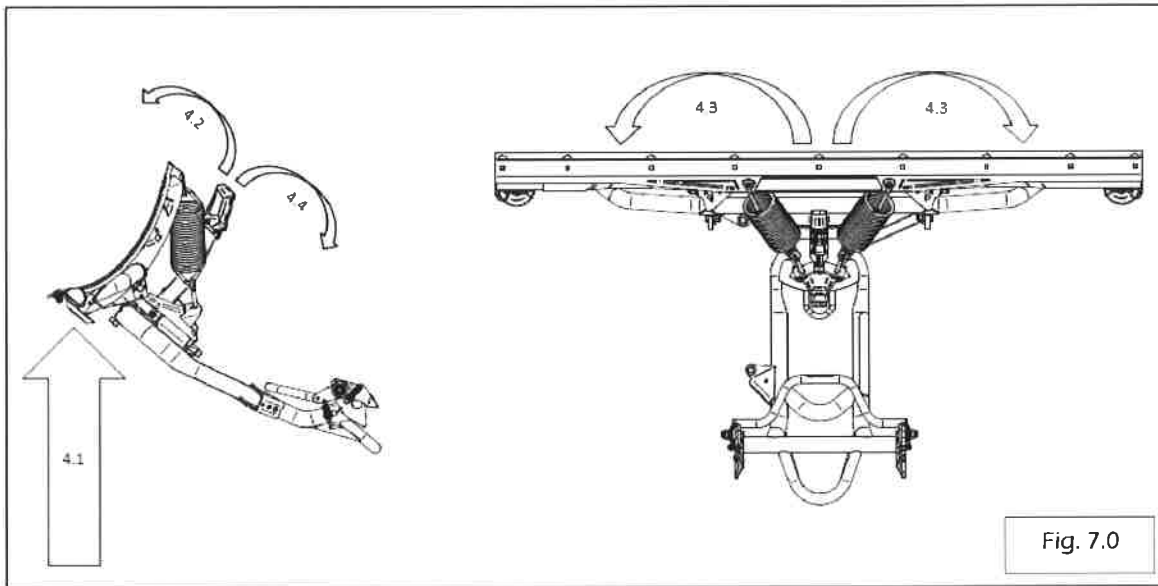
4.1. Raise the plow system with the vehicle's winch so that it can rotate freely.

WARNING : Breakage of the winch cable may occur at any time. Never leave your feet under the blade in case the plow system falls. This could cause serious injury.

4.2. Pull the handle **21** towards the blade **104/107**.

4.3. Rotate the blade **104/107** on desired side.

4.4. Release handle **21** and make sure that the lock fits into one of the angulation holes of the push frame **15**.



5. ADJUSTMENT OF SETTING BLOCKS (ATTACK ANGLE)

5.1. Remove the springs **17** in order to release the tension on the blade **104/107**.

5.2. Loosen the bolts M10-1.5 x 30 **3** and the nuts M10-1.5 **8** on each side so that the setting blocks **14** may rotate freely.

5.3. Push the top of the blade **104/107** and rotate the setting blocks **14** to the desired position (1-2-3-4).

5.4. Tighten the bolts M10-1.5 x 30 **3** and the nuts M10-1.5 **8** and put the springs **17** back in place (see instructions 1.6 to 1.9).

NOTE : Setting blocks are at position 2 by default.

#1 → less aggressive attack angle

#4 → more aggressive attack angle